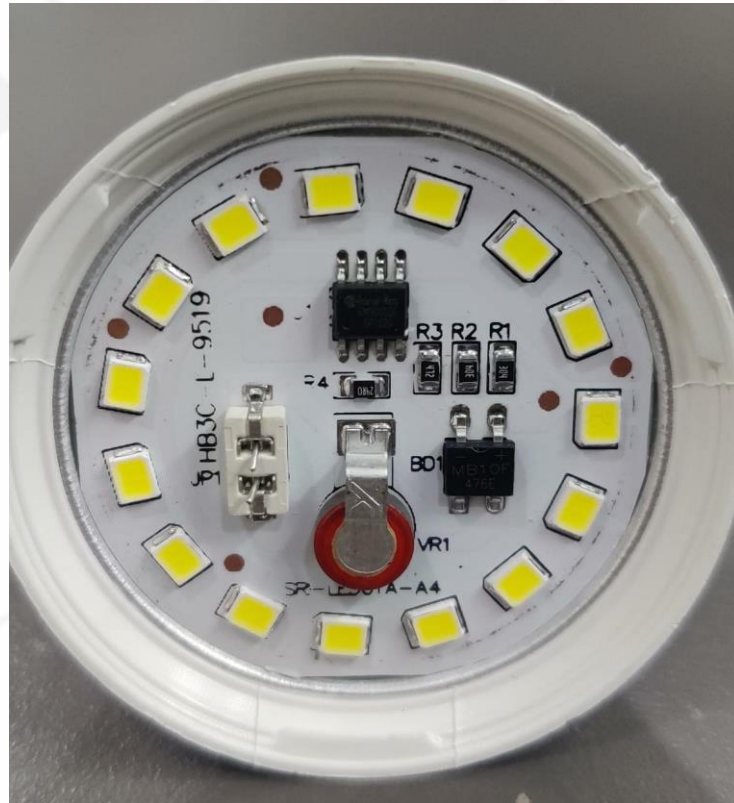




COMPONIX INDIA

# RM9001 DOB, 9W, 270V, 30mA



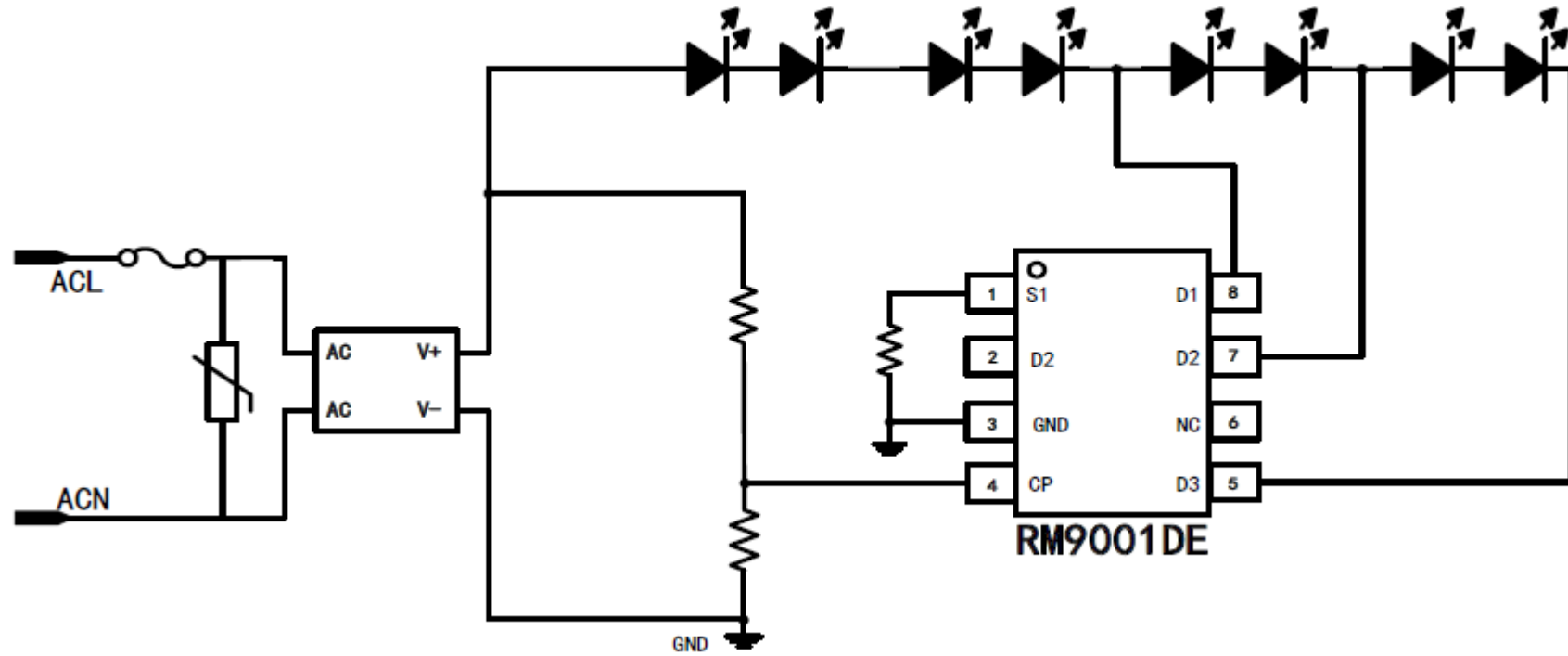


COMPONIX INDIA

# General Specifications

Solution	RM9001
AC Input	90V -300VAC
DC Output	270V, 30mA
Efficiency	>88%@230VAC
Power Factor	>0.9
THD	<18%@230VAC
Maximum Withstand Voltage	440VAC
Surge	4kV

# Schematic



# Bill Of Material

	Material	Place	Quantity	Units
SMT	PCB: Aluminum 1.0mm 15μm OSP(39*39mm)	PCB	1	PCS
	Bridge diode: MB10F	BD1	1	PCS
	IC: RM9001DE	U1	1	PCS
	Resistor: 0805	R1,R2	2	PCS
	Resistor: 0805	R3	1	PCS
	Resistor: 0805	R4	1	PCS
	Terminal: F5034 / Wire (Customer could choose it)	JP1	1	PCS
	MOV: 7D561K	MOV	1	PCS
	SMD:2835 1W 6500K ≤6SDCM 60mA 18V Ra≥80 ≥160-170LM PCT	LED1-15	14	PCS
	Fuse:1W or 1WS 70mm one side 5mm another side15mm 4KV surge	FR1	2	PCS
Housing	PC:A60 C19-60 PC	/	1	PCS
	Cup:A60 C19-60	/	1	PCS
	B22	/	1	PCS



**COMPONIX INDIA**

[www.componixindia.com](http://www.componixindia.com)