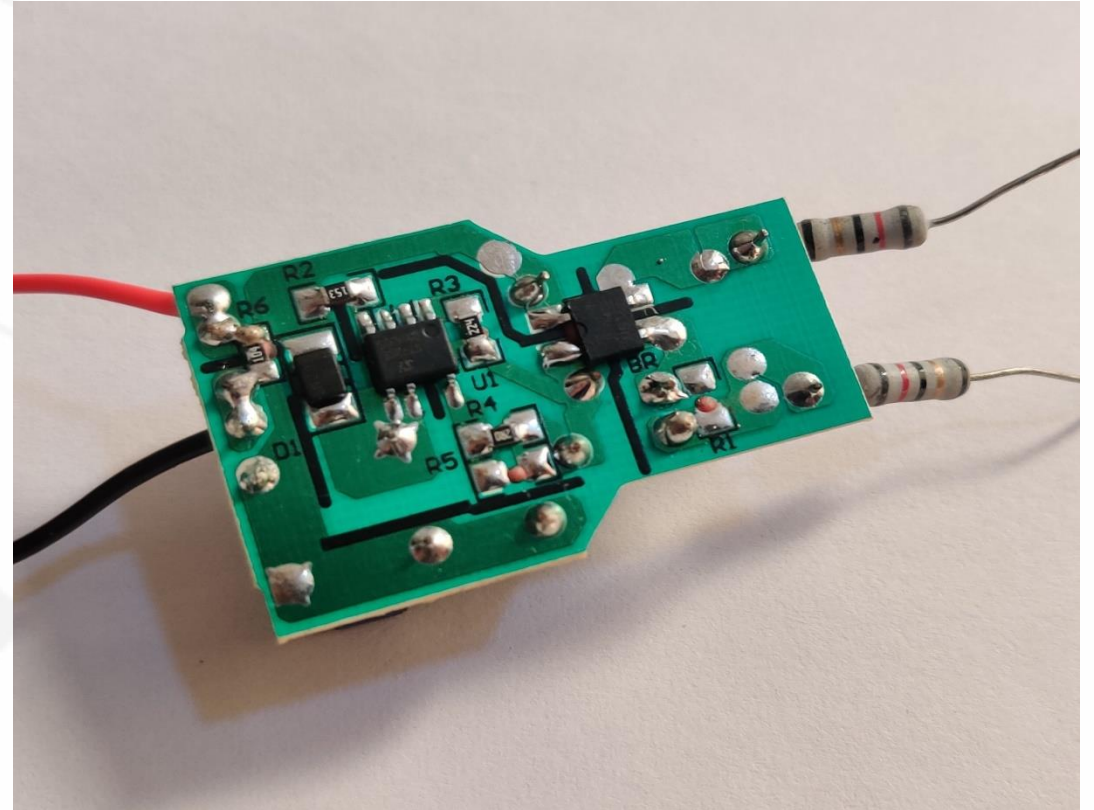
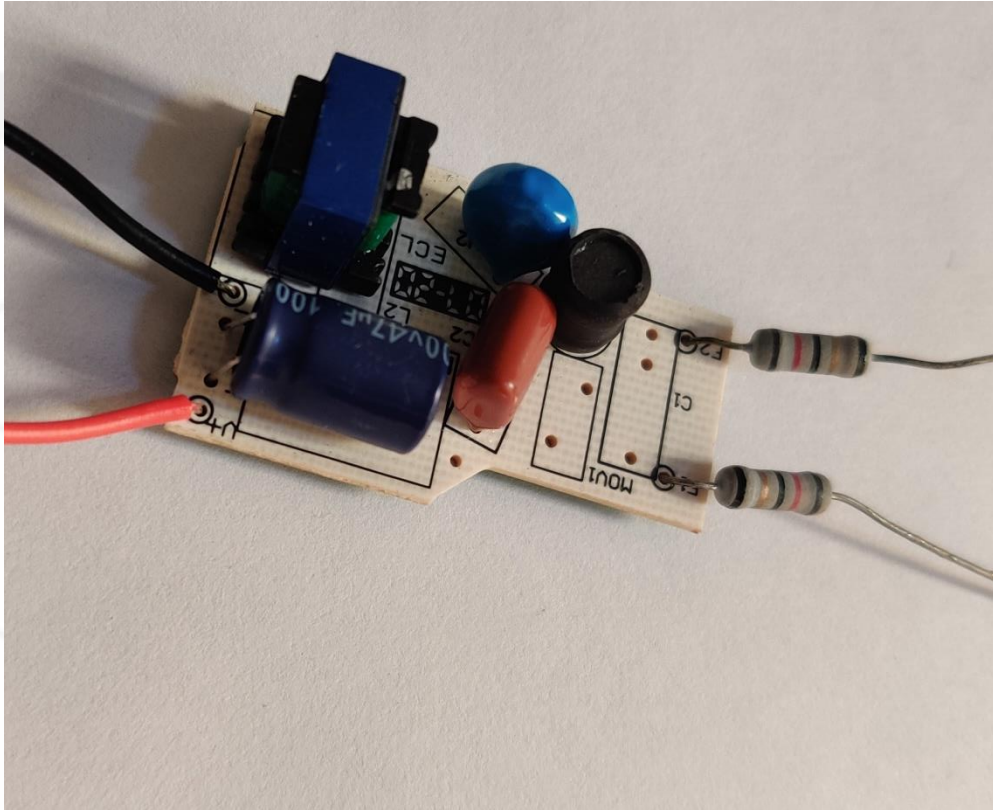




COMPONIX INDIA

# SIC9772-5W-7W-9W, 81V, 100mA



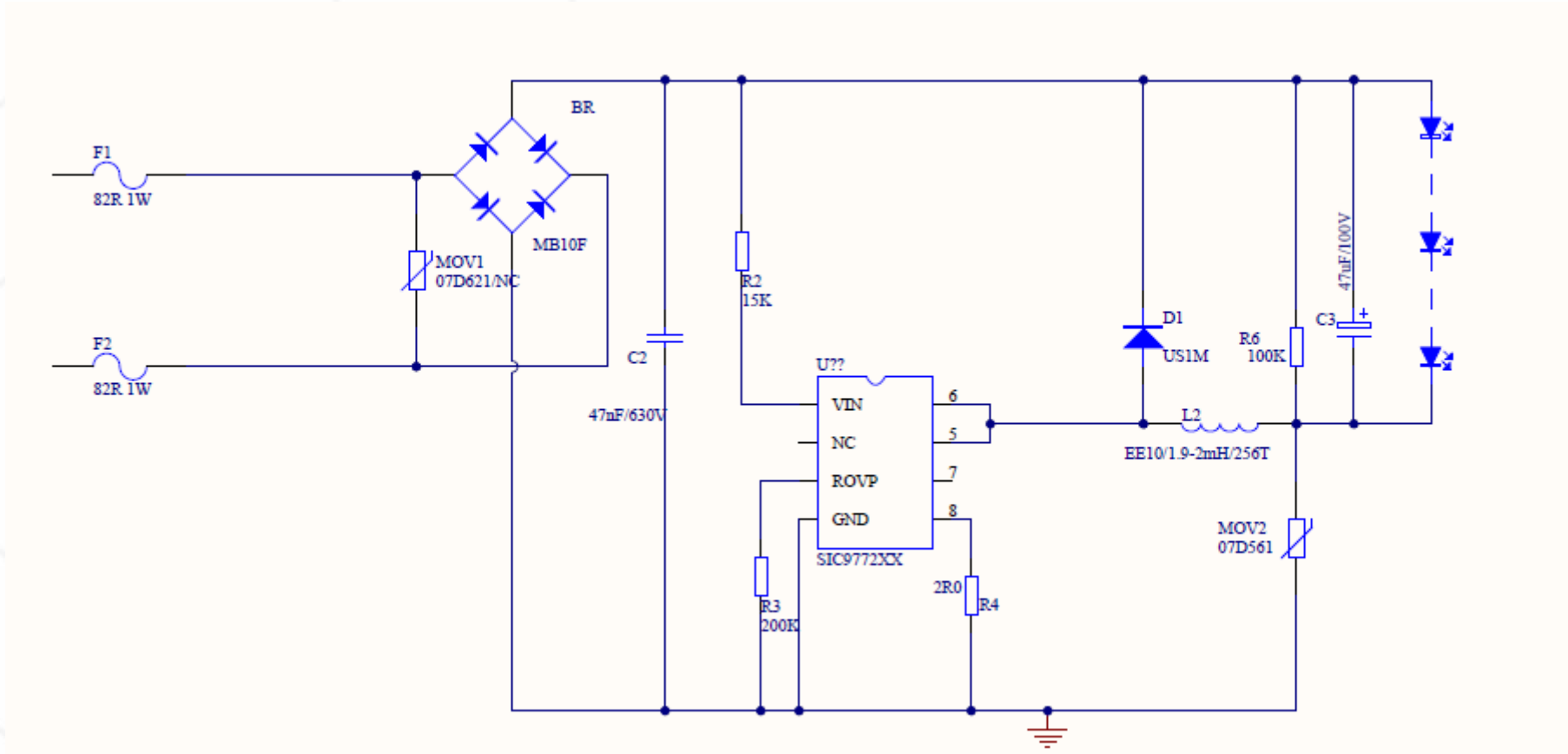


COMPONIX INDIA

# General Specifications

Solution	SIC9772B
AC Input	90V -300VAC
DC Output	45V-81V, 100mA
Efficiency	>88%@230VAC
Power Factor	>0.95
THD	<15%@230VAC
Over Voltage Foldback	>300VAC
Under Voltage foldback	<140VAC
Maximum Withstand Voltage	440VAC
Surge	4kV

# Schematic





COMPONIX INDIA

# Electrical Parameters

Sr. No.	Input Voltage RMS (V AC)	INPUT CURRENT RMS (I AC)	INPUT POWER (W)	P.F.	VTHD %	ATHD %	LINE Freq. (Hz)	OUTPUT No load voltage (Vdc)	OUTPUT With load Voltage (Vdc)	Output current (A)	Output power (W)
1	100	0.0195	1.83	0.930	0.18	37.8	50	119	73.78	0.0226	1.67
2	120	0.0266	3.06	0.957	0.18	29.3	50	139	75.36	0.0368	2.78
3	150	0.0356	5.20	0.976	0.18	21.2	50	120	77.28	0.0610	4.74
4	170	0.0405	6.78	0.983	0.18	17.5	50	120	78.19	0.0774	6.08
5	190	0.0452	8.48	0.988	0.18	14.7	50	120	79.09	0.095	7.58
6	210	0.0401	8.33	0.990	0.18	11.4	50	120	78.93	0.095	7.56
7	230	0.0364	8.30	0.990	0.19	9.5	50	120	78.83	0.095	7.56
8	250	0.0337	8.31	0.980	0.19	11.0	50	120	78.73	0.0935	7.57
9	270	0.0313	8.33	0.980	0.19	11.2	50	120	78.78	0.096	7.67
10	290	0.0293	8.37	0.980	0.19	11.3	50	120	78.83	0.096	7.65
11	300	0.0284	8.39	0.980	0.19	11.5	50	120	78.83	0.0965	7.66



COMPONIX INDIA

# Bill Of Material

9W Bulb						
S.No.	Item	Components	Legends	QTY	Brand	
1	PCB			1		
2	IC	SIC9772BS SOP-7	U1	1	SI-SEMI	
3	Resistor	100KR±5% 0805	R1	1	Royal	
4	Resistor	15K±5% 0805	R2	1	Royal	
5	Resistor	220k±5% 0805	R3	1	Royal	
6	Resistor	2R0±5% 0805	R4	1	Royal	
7	Rectifier Bridge	MB10F	BR	1	JF	
8	Diode	US1MS/ES1JF	D1	1	JF	
9	Fuse Resistor	68R±5% 1W	F1	2	Thakor	
10	Drum core	4.7-5mH		1		
11	MOV	7D561K	MOV2	1	Weidy/samwha	
12	Film Capacitor	47nF±10% 630V	C1/C2	2	Weidy	
13	EL Capacitor	47uF±20% 100V 105°C	C3	1	AXBOOM/Sinecon	
14	Buck Inductor	EE10	L2	1		



**COMPONIX INDIA**

[www.componixindia.com](http://www.componixindia.com)