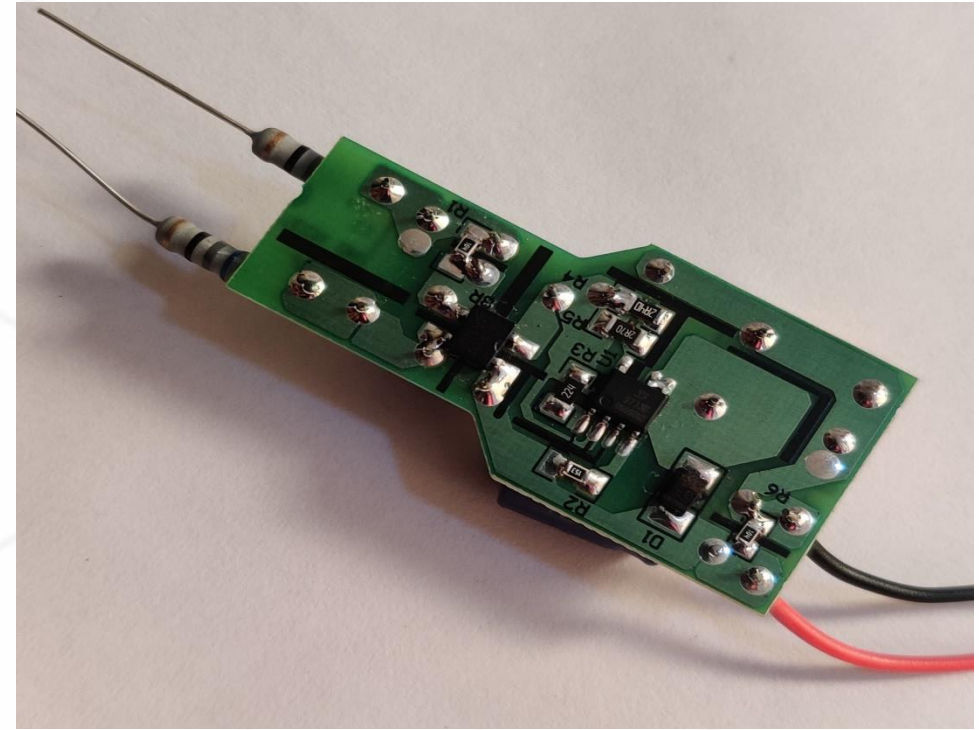
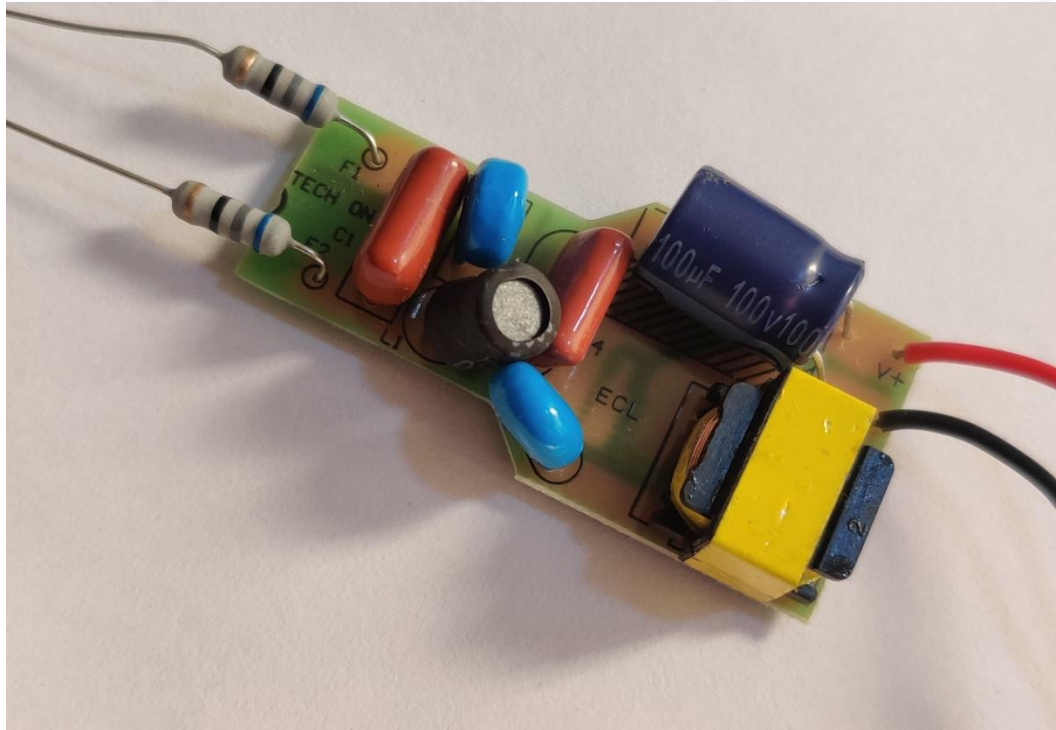




COMPONIX INDIA

SIC9773X-12W-15W, 180mA



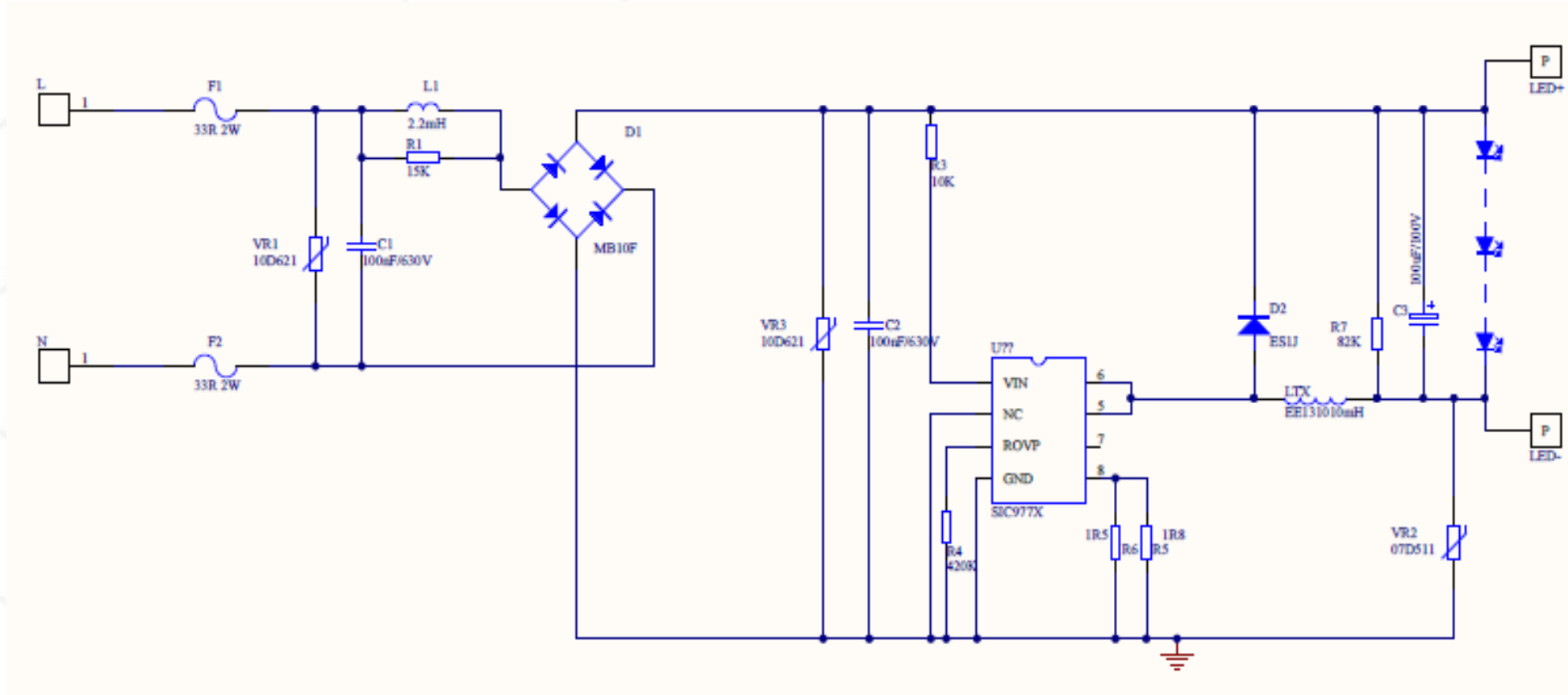


COMPONIX INDIA

General Specifications

Solution	SIC9773B
AC Input	90V -300VAC
DC Output	63V-72V, 180mA
Efficiency	>88%@230VAC
Power Factor	>0.95
THD	<15%@230VAC
Over Voltage Foldback	>300VAC
Under Voltage foldback	<140VAC
Maximum Withstand Voltage	440VAC
Surge	4kV

Schematic





COMPONIX INDIA

Bill of Material

SNo.	12W/15W Bulb				
	Item	Components	Legends	QTY	Brand
1	PCB			1	
2	IC	SIC9773B SOP-7	U1	1	SI-SEMI
3	Resistor	100KR±5% 0805	R1/R6	2	Royal
4	Resistor	15K±5% 0805	R2	1	Royal
5	Resistor	220k±5% 1206	R3	1	Royal
6	Resistor	2R70±5% 1206	R4	1	Royal
	Resistor	2R40±5% 1206	R5	1	Royal
7	Rectifier Bridge	MB10F	BR	1	JF
8	Diode	US1MS/ES1JF	D1	1	JF
9	Fuse Resistor	68R±5% 2W	F1/ F2	2	Thakor
10	Drum core	4.7-5mH		1	
11	MOV	7D511K	MOV1	1	Weidy/samwha
	MOV	7D621K	MOV2	1	Weidy/samwha
12	Film Capacitor	68nF±10% 630V	C2	1	Weidy
	Film Capacitor	100nF±10% 630V	C1	1	Weidy
13	EL Capacitor	100uF±20% 100V 105°C	C3	1	AXBOOM/Sinecon
14	Buck Inductor	EE14	L2	1	



COMPONIX INDIA

www.componixindia.com